



FASTEST[®]

Bail Actuator Handle Connectors

Operating Instructions

INTRODUCTION TO FASTEST

Why Choose FasTest? ...

FasTest is a dedicated manufacturer of advanced connection tools for pressure and vacuum testing applications. Our connection tools are easy, safe, and reliable and can dramatically lower your operating costs and increase operational throughput.

FasTest customers have switched from inefficient plugging or sealing methods for their testing or filling needs. Our connectors are used in the compressed gas, manufacturing, calibration, processing with refrigerant and medical industries, as well as major automotive manufacturers and leading appliance companies internationally.

Our connection products and extensive experience since 1985 will help you specify the right connector for your application. At **FasTest**, we regularly modify standard products to fit your specific application and testing requirements.

FasTest Connection Tools Offer:

- A unique and proprietary pressure-assisted gripping and sealing technology that increases gripping pressure as the pressure increases, virtually eliminating accidental removal under pressure
- A floating split collet design that eliminates operator adjustment
- Dynamic Seals that minimize seal stress to increase seal life, reliability and sealing pressure
- Seals that provide a wide range of options to meet your application demands
- Minimal maintenance, easy seal replacement, long life and ergonomically friendly designs

Thank You ...

We thank you for deciding to use **FasTest** series gas connectors. The following pages include operating and maintenance instructions. Read these instructions carefully and follow them before using any gas connectors.

The information corresponds with product knowledge at the time of printing. Failure to observe these instructions may result in loss of warranty.

FasTest connectors may be used for a variety of applications. However, the customer should check with **FasTest** to see whether the connector is appropriate for their application.

Table of Contents

Application Guidelines	1
Installation	2
Operation (Connect & Disconnect)	3-5
Maintenance	6-8
Standard Replacement Parts List	9
Troubleshooting	10-11
Warranty	12

APPLICATION GUIDELINES

- **FasTest** gas series connectors are designed to connect to specific CGA gas valves
- Do not connect to a damaged cylinder valve
- Contact **FasTest** if the product is damaged, or if you have inquiries on the proper function of the connector
- Do not use the connector until clarification is sought
- Connectors may only be dismantled by **FasTest** or trained personnel
- Do not use excessive force when connecting. See Operating Instructions outlined in this manual
- Filling gas cylinders is potentially dangerous. Appropriate safety measures must be taken. **FasTest** is not liable or injuries to persons or property arising from incorrect use
- Connectors for respiratory air/oxygen must be kept free from oil and grease
- Connectors without an operating loop require additional security by means of safety wire, safety cage, etc
- When using a quick connector with filling hose, please ensure that the cylinders to be filled are secure

INSTALLATION

Step 1


Protect the connector from damage and dirt by keeping it in the original packaging until you are ready to use it.

Step 2

Check that the connector part number and delivery notes (if applicable) comply with the application.

Step 3

Connect the hose securely and leak-tight to inlet B (Figure 1). Tighten to a max torque of 15 ft-lbs. For WOB style connectors, also connect pilot pressure line to 1/8" NPT pilot pressure port in the back of connector. Tighten to max torque of 8 ft-lb. A higher torque can result in damage causing leaks when the system is pressurized. Ensure that the connectors cannot be damaged when loading and removing the cylinder.

	CAUTION: Do not over tighten. Over tightening could break connector and cause injury to operator.
---	--

Step 4

Review total function:

- Check leak-tight seal
- Check if collets open and close properly by actuating the connector several times
- For WOB style connectors, check if pin extends and retracts properly when pilot pressure is applied and removed, and that there are no leaks.
- Check if connector marking complies with the application
- The **FasTest** connector is ready to operate

Note

Avoid lateral forces like short connecting hoses because this could cause leakage.



Figure 1. Torque to maximum 15 ft-lb

OPERATION

Step 1

At the start of each shift

- Check all connectors for main seal condition
- Check for smooth operation of the actuating loop before the first fill

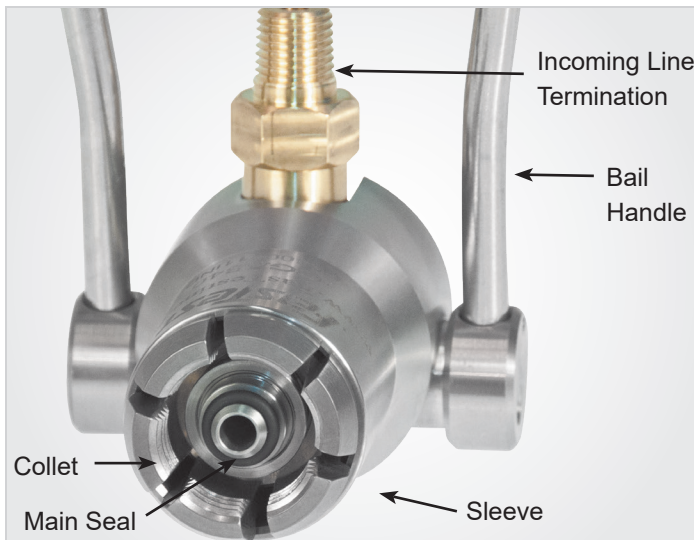


Figure 2. CGA 346, CGA 540

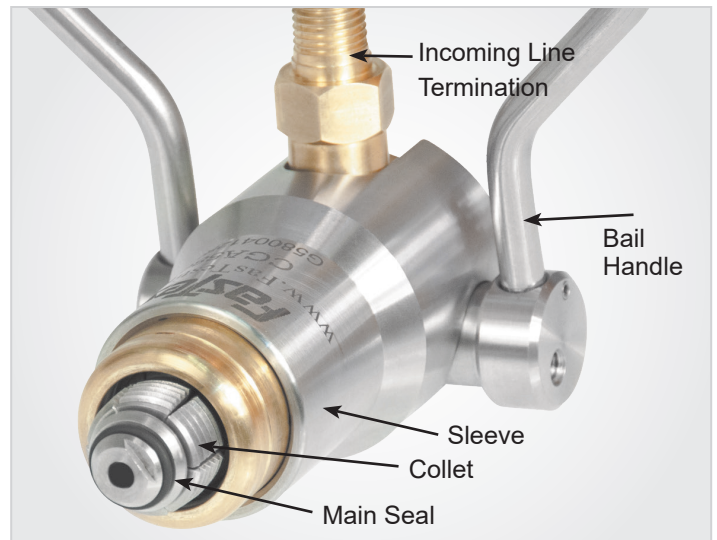


Figure 3. CGA 580, CGA 590

Step 2

When making a connection:

- Ensure that the connector is in the fully open position and in direct contact with the front of the valve before moving the actuator
- Align the connector to the thread to prevent damage to the front seal from sharp edges of the valve
- Place the connector onto/into the valve until it stops. **DO NOT USE EXCESSIVE FORCE!**
- Rotate the bail to engage the connector. Do not actuate the loop with excessive force. If the connection is made correctly, it will connect with relative ease
- Ensure that the actuating loop has traveled to a position below parallel to the connector body. Check to make sure the collets are fully engaged. (See good vs. bad connection photos, pages 4-5)

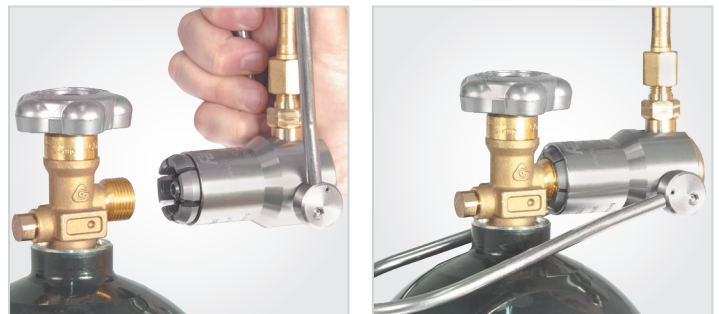


Figure 4a - 4b. Correct CGA 346/540 alignment and connection

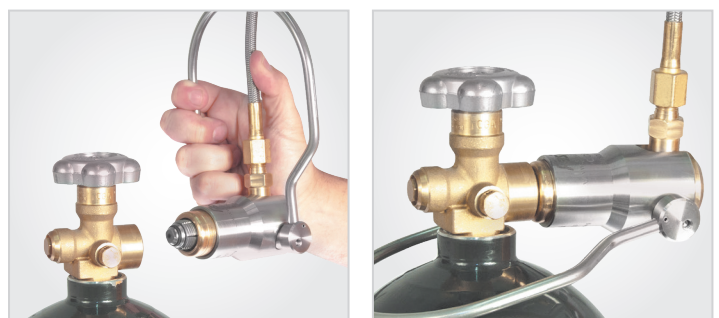


Figure 4c - 4d. Align CGA 580/590 connector tight and square against valve with no visible gap to avoid damage to the sealing surface

OPERATION

580 RPV Pin Retraction



Note

Pin retraction is shown using *FasTest* tool G580RPVPT. Retraction may also be done using standard pliers



Figure 5a. Note how the pin is extended



Figure 5b. Push down



Figure 5c. Rotate 90°



Figure 5d. Retracted

Step 3

Connecting to the Cylinder/Good Connections



Figure 6a. Demonstrates good connection to CGA 346 or CGA 540



Figure 6b. Use minimal force on bail



Figure 7a. Demonstrates good connection to CGA 580 or CGA on bail and handle 590



Figure 7b. Use minimal force connection to CGA 580 or CGA on bail and handle 590

Correct Handle Positioning

Figure 8a. Correct positioning: handle rests at a downward angle to connector body



OPERATION

Incorrect Connections

WARNING: Improper thread connection can result in injury or death.



Figure 6c. Misaligned CGA 346/540



Figure 6d. Exposed threads CGA 346/540



Figure 7c. Misaligned CGA 580/590



Figure 7d. Exposed threads CGA 580/590

Incorrect Handle Positioning

Figure 8b. Incorrect positioning: handle is parallel or at an upward angle relative to the connector body



Step 4

Connect. The safety pin protrudes out (engages) at a pressure of approximately 150 psig, depending on connector age, cleanliness and lubrication.

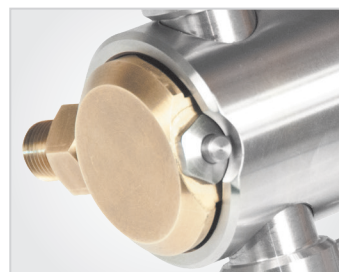


Figure 9. Safety pin extends to stop sleeve travel and accidental disconnection

Step 5

Disconnect. Disconnect only when the connector is depressurized and the safety pin retracts. **DO NOT ATTEMPT TO DISCONNECT ACTUATOR STYLE CONNECTORS WHILE UNDER SYSTEM PRESSURE.** (See Safety Pin care in Maintenance section of this manual).



Figure 10. Safety pin retracts when connector is depressurized

MAINTENANCE

Good Maintenance Practices

- Connectors may require periodic lubrication. Use Krytox or approved equivalent only.
- Maintain accurate and complete product maintenance records.
- In addition to these suggested maintenance guidelines, your company's overall safety and maintenance requirements should be applied to **FasTest** gas connector products.
- It is recommended that gas connector products involved in high-volume filling have the main seal (front o-ring) replaced every 1,000 cycles or every 1 – 2 months. The connector should be replaced at 100,000 cycles or every 10 years depending on application.
- Adhering to a consistent product maintenance program will minimize product returns for inspection as well as required maintenance costs.
- Minimize the use of soap solutions sprayed directly onto connector. These types of solutions cause a build-up that can hamper proper connector operation. Also, avoid contacting connector with any petroleum base chemicals that can cause product contamination.
- Any visual or audible leak should be inspected immediately, and the connector should be repaired or replaced as needed.
- DO NOT EXCEED THE MAXIMUM OPERATING PRESSURE AS STATED IN BOTH PRODUCT LITERATURE AND ON ALL INDIVIDUAL CONNECTOR PRODUCTS SOLD BY FASTEST.

Connector Maintenance

The following maintenance guidelines apply to all **FasTest** gas connector products. Additional guidelines that apply only to a specific CGA standard connector are noted.

- A daily, weekly and periodic inspection of the connector by a competent person is recommended. Inspection should include wear of swivel joints, damage to the body, leak-tightness, ease of operation, sufficient lubrication, wear, dirt accumulation and damage. (See Maintenance Checklist)
- If upon inspection a problem is noted, refer to the Troubleshooting Guide at the end of this manual. DO NOT DISMANTLE THE CONNECTOR.
- You may use only original **FasTest** spare parts that are designed for the application and are subject to strict quality control. See Warranty.

Main Seal

The main O-ring seal must be replaced at least every 1000 cycles. **FasTest** recommends a daily visual inspection of the sealing O-ring, located at the tip of the filling nozzle. Inspect for tears or cracks in the O-ring surface. Replace O-ring if tears or cracks are visible or verified. Some applications require more frequent seal changes.



Figure 11. An example of a good O-ring main seal

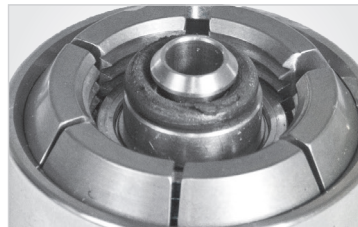


Figure 12. An example of a bad O-ring main seal

MAINTENANCE

Bail Handles

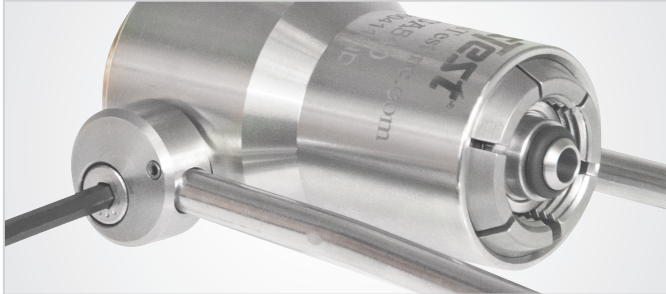


Figure 13. Tighten with a torque wrench

FasTest recommends a periodic inspection and tightening of the actuator handles on applicable CGA standards. If screws are loose, tighten to 8-10 ft-lb.

Do not over tighten screws.

A drop of Loctite 242 on the threads of the screw is appropriate.

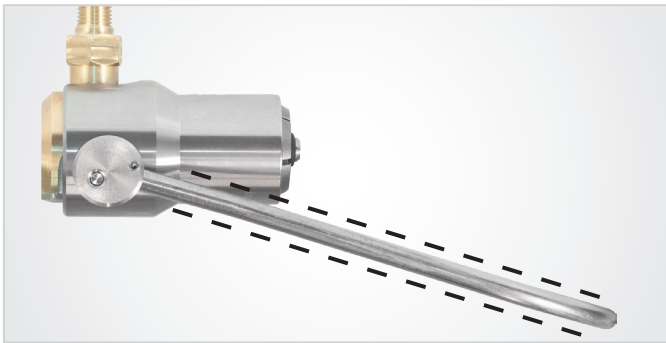


Figure 14a. Inspect bail handles for straight position

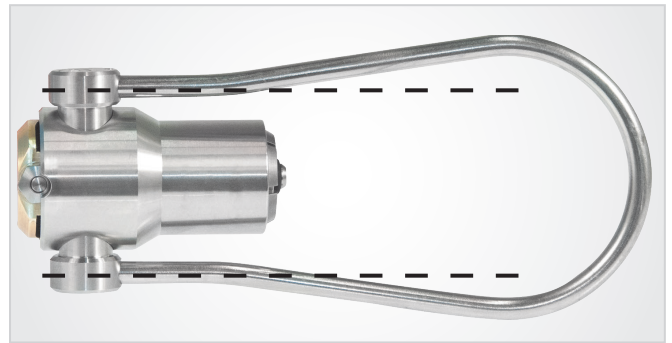


Figure 14b. Straight handles, side view

Safety Pins

Safety pin operation must be inspected daily. With actuator handle connectors, the safety pin will protrude out during the filling cycle at approximately 150-psig (70-psig for WOB style). The safety pin retracts back into the connector body upon completion of the fill cycle. The actuator handle will flip back easily when the connector is depressurized and the safety pin retracts. Failure to wait may cause damage to the safety pin.

If the safety pin does not function properly, the pin assembly may require cleaning and lubrication. Or, if bent, the safety pin will require total replacement. Attempting to disconnect the connector while pressurized contributes to the bending of the safety pin.

DO NOT ATTEMPT TO DISCONNECT CONNECTORS WHILE UNDER PRESSURE.



Figure 15. Example of a bad or damaged safety pin. When the pin is bent it will not retract. There is a noticeable indentation on the sleeve from contact with pin. The handle is also bent from forcing actuation while the pin is protruding out

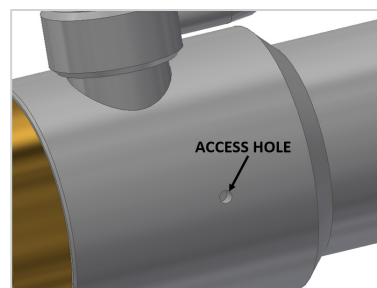


Figure 16. Safety pin area for WOB style connector shown. Pin is in the area beneath access hole.

MAINTENANCE

Maintenance Checklist

Daily

Inspect for Leak-tight seal

- The main seal must be replaced more frequently depending on wear. Dismantling of the connector for this purpose is not required. It is recommended that an O-ring pick be used for removal to avoid damage to the groove
- Clean groove if required and insert new O-ring

Inspect for correct function.

- Does the safety pin properly protrude and lock the connector under pressure?
- Does the safety pin move backwards when the system is depressurized?
- WOB safety pin actuation and retraction may be checked visually through access hole, or by use of a pin to gauge stop pin depth. Hole may also be used to push safety pin “in” if it does not retract upon removing pressure from system.

Weekly

Inspect for correct function

- Inspect the correct engagement of the collets
- Check the connector’s collet thread with gauge
- Check for any bent or missing components

Periodic

- Inspect that all threaded components are tight and properly torqued
- Check for any bent or missing components
- Check for proper actuation of handle, collets and all moving components
- Check for leaks

STANDARD FIELD REPLACEMENT PARTS

Gas connector standard replacement components listed in this section are immediately available for field replacement. Additional field replacement components such as bail handles are also available by consulting **FasTest**. Remaining components are not offered for field replacement as they typically require special tools and handling precautions during assembly.

Due to the high pressure of compressed gas filling, as well as the Oxygen cleaning requirements of specific CGA standards, **FasTest** requires you to return gas connector products for repair. Specific CGA standards require Oxygen cleaning before being returned to field service. Please contact **FasTest**, Inc. for additional information.

Connectors	Part Numbers	Material	Description
G346 .. BH	SG346* SG346E*	Viton EPDM	Replacement main seals Replacement main seals
G540 .. BRP	SG540* SG540E*	Viton EPDM	Replacement main seals Replacement main seals
G540 .. BRP	G540BRPPM1 G540BRPNM1	Monel Monel	Replacement pins (5/pkg) Replacement pin and nut pin
G580 .. BH	SG580* SG580V*	EPDM Viton	Replacement main seals Replacement main seals
G580 .. RPV	SG580RPV* SG580VRPV*	EPDM Viton	Replacement main seals Replacement main seals
G540 .. BRP G580 .. BRP	G580RPVPT	Stainless steel	Retraction tool / pin nut tool Retraction tool / pin nut tool
G590 .. BH	SG580* SG580V*	EPDM Viton	Replacement main seals Replacement main seals

*Replacement seals available in quantities of 5, 100, 250 and 500. Example: SG540**100** = 100 seals

TROUBLESHOOTING

Problem	Recognized By	Probable Cause	Recommended Action
Gas leakage at connection of connector to valve	Continual sound of escaping gas	Damaged or worn connector sealing O-ring or damaged cylinder valve	Visual inspection of connector O-ring. Replace as required. Recommended O-ring replacement every 1000 filling cycles
Gas leakage at initiation of filling cycle, leakage decreasing as pressure increases	Sound of escaping gas	(a) Improper connection (b) Side load to filling connector due to rigid supply line	(a) Terminate filling cycle and repeat connection (b) Replace supply line with swivel and/or flexible pigtail
Gas leakage increases as pressure increases	Sound of escaping gas Blow off	Valve threads damaged Seat area of valve scored or damaged	Terminate filling cycle and replace damaged or worn valve
Safety pin does not activate during filling cycle	Safety pin at rear of connector not extended outward from connector body	(a) Damaged or bent pin (b) Lack of lubrication and/or dirt contamination	(a) Field replacement of actuator pin assembly (b) Remove safety pin assembly, clean and lubricate with approved lubricant
Safety pin does not retract upon completion of filling cycle	Unable to remove connector	(a) Damaged or bent pin (b) Lack of lubrication and/or dirt contamination (c) System under pressure	(a) Field replacement of actuator pin assembly (b) Remove safety pin assembly, clean and lubricate with approved lubricant (c) Vent or exhaust system of gas before attempting disconnection
Actuator handle loose	Excessive handle movement from side-to-side when connected to valve	Loose or missing actuator handle screws	Replace missing screw or remove existing screw. Apply thread lock to screw threads. Reinsert and tighten to 8-10 ft-lbs. Do not over tighten screw
Inability to fully engage actuator handle	Visually inspect connection with valve to determine if connector threads are exposed	Short connection to cylinder valve	Disconnect and reconnect to valve with connector fully seated into valve

Gas Connector CGA standards 346, 540, 580 and 580 RPV series. Gas connector products should be visibly inspected on a routine basis to ensure efficient product performance. Refer to the Maintenance Checklist on page 8.

TROUBLESHOOTING

Problem	Recognized By	Probable Cause	Recommended Action
Connector's thread collets not expanding properly during initial hook-up to cylinder valve	Visual inspection of connection joint	Short connection of connector to valve	Visual inspection of valve. Replace if damaged or worn. Disconnect and reconnect connector to valve. Be sure actuator handle sleeve is fully engaged. If problem is unresolved, contact FasTest
Loose connection	Connector is loose despite proper connection	Worn or damaged threads of cylinder valve	Replace cylinder valve.
Damage, deformation or distortion to connector body, sleeve, and collet threads. Possible internal leakage	Visual inspection of connector Difficult operation of connector	Improper operation	Remove connector from filling operation immediately! Return to FasTest to determine probable cause
Inability to connect to, or a leakage with 540 and 580 RPV style connectors and Residual Pressure Valves	Inability to fully actuate connector actuator handle and/or outer sleeve	(a) Bent actuator pin (b) Damaged actuator piston	(a) Replace actuator pin (b) Return to FasTest for repair
Inability to connect or leakage of RPV version connector to non RPV cylinder valves	Inability to fully actuate and/or gas leakage at initial filling	(c) Actuator pin not retracted	(c) Retract/remove actuator pin according to specific connector operation instructions
WOB will not properly vent/vac cylinders, or leakage detected	WOB RPV pin fails to actuate or leakage when pilot pressure is applied	(a) Insufficient pilot pressure to connector (b) Bent pin/shaft (c) Damaged shaft sea	(a) Check pilot connections and line pressure. 80-120psi recommended. (b) Replace pin/shaft (c) Return to FasTest for repair
WOB RPV pin fails to retract	Difficulty connecting to valve due to pin in the way	(a) Bent pin/shaft (b) Damaged shaft sea	(a) Replace pin/shaft (b) Return to FasTest for repair
WOB stop pin stuck in retracted position	Visual or gauge inspection, or ability of connector to actuate under pressure above 200psi	Damaged or worn pin or associated seals	Return to FasTest for repair
WOB stop pin stuck in extended position	Visual or gauge inspection, or inability of connector to actuate after pressure has been fully vented	Damaged or worn pin, seals, spring, or adjacent parts interfering.	Pin may be pushed to retracted position through the access hole (see Fig 16). If problem persists, return to FasTest for repair.

Warranty

FasTest, Inc. warrants its products against defects in workmanship and materials for 12 months from the date of sale by FasTest, Inc. or its authorized distributor. This warranty is void if the product is misused, tampered with or used in a manner that is contrary to FasTest, Inc.'s written recommendations and/or instructions. FasTest, Inc. does not warrant the suitability of the product for any particular application. Determining product application suitability is solely the customer's responsibility. FasTest, Inc. is not liable for consequential or other damages including, but not limited to, loss, damage, personal injury, or any other expense directly or indirectly arising from the use of or inability to use its products either separately or in combination with other products. ALL OTHER WARRANTIES EXPRESS OR IMPLIED, WHETHER ORAL, WRITTEN OR IN ANY OTHER FORM, INCLUDING BUT NOT LIMITED TO WARRANTIES OF MERCHANTABILITY OR FITNESS FOR A PARTICULAR PURPOSE, ARE EXPRESSLY EXCLUDED.

The sole and exclusive remedy under this warranty is limited to replacement of the product or an account credit in the amount of the original selling price, at the option of FasTest, Inc. All allegedly defective products must be returned prepaid transportation to FasTest, Inc., together with information describing the product's performance, unless disposition in the field is authorized in writing by FasTest, Inc.

WARNING: High pressure is potentially dangerous. Do not use Gas Filling connectors without first reading and following the operating instructions included with the product. Additional copies of all gas product instructions may be obtained from FasTest, Inc.

INTENDED USE/ MODIFICATION WARNING: FasTest gas connector products are ONLY intended for use with a specific CGA standard. FasTest assumes no product liability if modifications are made to the product. If modifications are made, the product warranty becomes null and void.

Non-Warranty Claims: FasTest gas connector products which are no longer covered by the original warranty period are subject to a flat rate charge for required product repairs. Flat rate charges will vary depending on CGA standard. Non-warranty connectors, returned to FasTest for repairs, are subject to inspection to determine feasibility of repair.

Contact FasTest, Inc. directly for non-warranty repair and maintenance requests.