

MEDIMATE SERIES / COMPRESSED GAS CONNECTOR

Lever handle actuated yoke grip and seal connection tool for compressed gas processing applications.



- 1** Positive pressure internal safety mechanism to prevent removal under pressure
- 2** Instant connection to yoke style valves with self-aligning floating piston for robust sealing
- 3** Reduce repetitive motion injuries to improve operator retainment and performance capabilities

SPECIFICATIONS

Pressure Rating*	Wetted Materials
Vacuum to 3600 psi (248 bar)	Brass, 300 series SST
Operating Temperatures	Seal Materials
0°F to 140°F (-17°C to +60°C)	Teflon, See Chart
Termination	Other Materials
1/4 Male NPT	Brass, 300 series SST

NOTE: BAM Tested. Cleaned for oxygen service
*Pressure rating per criteria of ASME B31.3.

ACTUATION METHOD

Lever: Simply flip the ergonomic handle for ease of use.

G870



CONNECTS TO
CGA 870 Valves

GAS TYPE
Oxygen

G910



CONNECTS TO
CGA 910 Valves

GAS TYPE
Nitrous Oxide

G940



CONNECTS TO
CGA 940 Valves

GAS TYPE
Carbon Dioxide

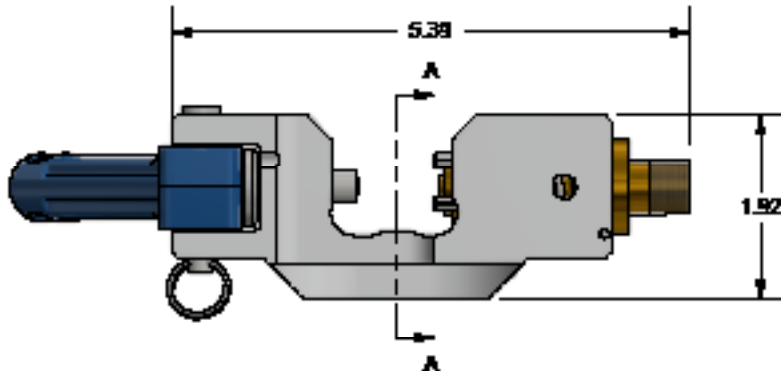
G950



CONNECTS TO
CGA 950 Valves

GAS TYPE
Air

MEDIMATE / INERT GAS QUICK CONNECTOR



Ordering Information

Connects To	Gas Type	Part Number	Main Seal Material	Main Seal Bulk Packs (QTY)
CGA 870 G-Series 870				
CGA 870	Oxygen	G870041	FKM	SG870/950 (5) SG870/950100 (100) SG870/950250 (250) SG870/950500 (500)
		G870041A		
		G870041E	EPDM	SG870/950E (5) SG870/950E100 (100) SG870/950E250 (250) SG870/950E500 (500)
		G870041AE		
CGA 910 G-Series 910				
CGA 910	Nitrous Oxide	G910041	FKM	SG870/950 (5) SG870/950100 (100) SG870/950250 (250) SG870/950500 (500)
		G910041A		
		G910041E	EPDM	SG870/950E (5) SG870/950E100 (100) SG870/950E250 (250) SG870/950E500 (500)
		G910041AE		
CGA 940 G-Series 940				
CGA 940	Carbon Dioxide	G940041	FKM	SG870/950 (5) SG870/950100 (100) SG870/950250 (250) SG870/950500 (500)
		G940041A		
		G940041E	EPDM	SG870/950E (5) SG870/950E100 (100) SG870/950E250 (250) SG870/950E500 (500)
		G940041AE		
CGA 950 G-Series 950				
CGA 950	Air	G950041	FKM	SG870/950 (5) SG870/950100 (100) SG870/950250 (250) SG870/950500 (500)
		G950041A		
		G950041E	EPDM	SG870/950E (5) SG870/950E100 (100) SG870/950E250 (250) SG870/950E500 (500)
		G950041AE		

