

CRYOVENT / PRESSURE RELIEF VALVE QUICK CONNECTOR

Sleeve actuated grip and seal connection tool for venting liquid cylinders.

CONNECTS TO:

Generant and Rego Pressure Relief Valves

GAS TYPE

Argon, Helium, Nitrogen, Inert Mixes



SPECIFICATIONS

Pressure Rating	Operating Temperatures	Connection Profile
800 psi (55 bar)	-60°F to 200°F (based on seal material)	Over hex of Generant and Rego pressure relief valves
Housing Material		
Brass		
Seal Material*		
Fluorosilicone		

NOTE: Cleaned for oxygen service
 * More seal material types available, consult factory.

HANDLE OPTIONS

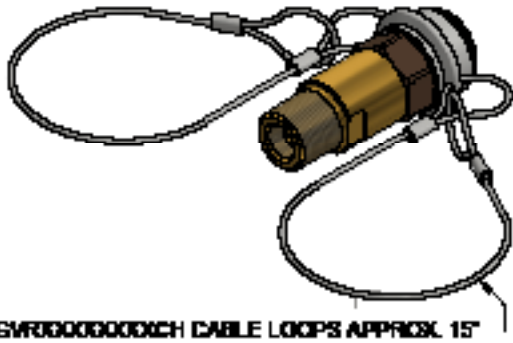
Cable Handle

ACTUATION METHOD

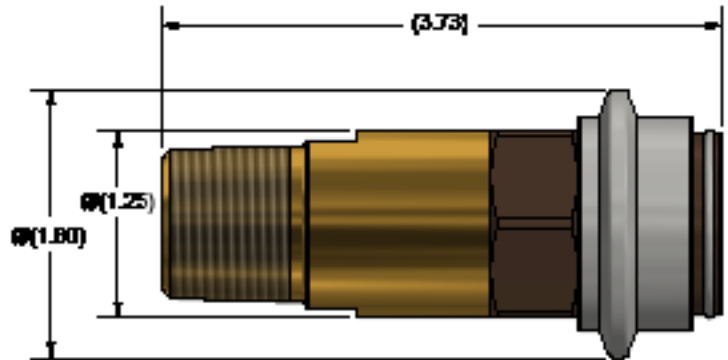
Sleeve: Push to connect, pull to release.

- 1 Sleeve latch to prevent disconnection under pressure.
- 2 Instant connection to pressure relief valves to safely direct vented gas to external locations
- 3 Accoustic noise reduction directs sound away from operator when attached to common stack
- 4 Cable option assists with sleeve release for high condensation filling

CRYOVENT / PRESSURE RELIEF VALVE CONNECTOR



SGVR00000000CH CABLE LOOPS APPROX. 15'



Ordering Information

Connects To	Gas Type	Part Number	Handle	Main Seal Material	Main Seal Packs (QTY)
CryoVent G-Series 870					
Generant and Rego Pressure Relief Valves	Argon, Helium, Nitrogen, Inert Mixes	GVR097121FS	Sleeve	Fluorosilicone	SGVR097 (5)
		GVR097121FSCH	Sleeve + Cable Loops		

