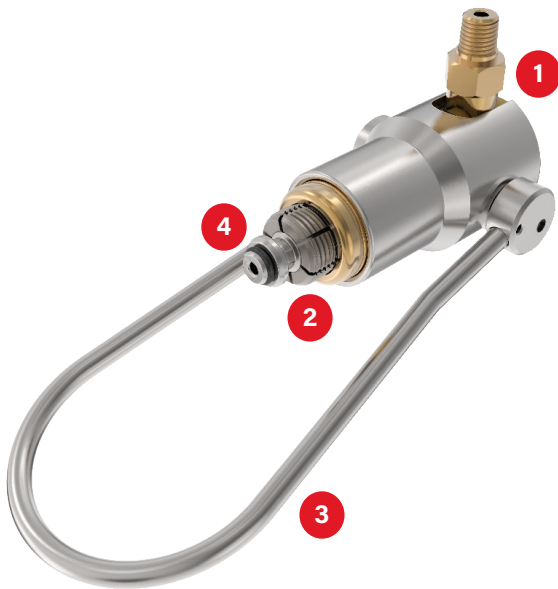


INTERNAL G-SERIES / COMPRESSED GAS CONNECTOR

Bail handle actuated internal grip and seal connection tool for compressed gas processing applications.



- 1** Positive pressure safety latch to prevent removal under pressure
- 2** Instant connection to external thread with self-aligning internal floating piston for robust sealing
- 3** Ergonomic bail handle surrounds valve for added safety
- 4** Optional retractable RPV pin

SPECIFICATIONS

Pressure Rating*	Wetted Materials
Vacuum to 3600 psi (248 bar)	Brass, 300 series SST
Operating Temperatures	Seal Materials
0°F to 140°F (-17°C to +60°C)	EPDM
Termination	Other Materials
1/4 Male NPT	Brass, 300 series SST

NOTE: BAM Tested. Cleaned for oxygen service
*Pressure rating per criteria of ASME B31.3.

HANDLE OPTIONS

Bail Handle, Cable Handle, Lever Handle

ACTUATION METHOD

Bail/Cable/Lever: Rotate handle with roller actuation.

G580



CONNECTS TO
CGA 580 Valves

GAS TYPE

Argon, Helium, Nitrogen, Inert Mixes

G590



CONNECTS TO
CGA 590 Valves

GAS TYPE

Air

GBS3

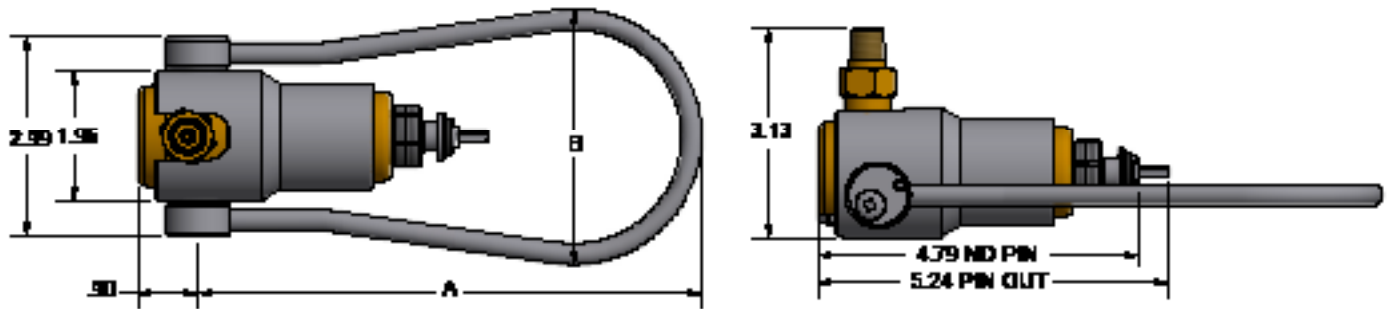


CONNECTS TO
BS3 Valves

GAS TYPE

Oxygen, Argon, Helium, Nitrogen, Inert Mixes

G580 / G590 / GBS3 / INTERNAL COMPRESSED GAS CONNECTOR



Ordering Information							Dimensions	
Connects To	Gas Type	Part Number	Handle Type	RPV Pin (Y/N)	Main Seal Material	Main Seal Packs (QTY)	A	B

CGA 580 | G-Series 580

Connects To	Gas Type	Part Number	Handle Type	RPV Pin (Y/N)	Main Seal Material	Main Seal Packs (QTY)	A	B
CGA 580	Inerts and Inert Mixes	G5800411BH	1B	N	EPDM	SG580 (5) SG580100 (100) SG580250 (250) SG580500 (500)	7.41	3.83
		G5800411CH	1C	N			7.50	3.75
		G5800412BH	2B	N			7.21	5.23
		G5800414BH	4B	N			8.81	7.23
		G5800414CH	4C	N			10.75	5.00
		G5800415BH	5B	N			11.60	7.81
		G5800417CH	7C	N			9.00	10.00
		G5800418CH	8C	N		--	--	
		G580041CRP	1C	Y		SG580RPV (5) SG580RPV100 (100) SG580RPV250 (250) SG580RPV500 (500)	7.50	3.75
		G5800412BRP	2B	Y			7.21	5.23
		G5800414BRP	4B	Y			8.81	7.23
		G5800414CRP	4C	Y			10.75	5.00
		G5800415BRP	5B	Y			11.60	7.81
		G5800416BRP	6B	Y			10.90	9.81
		G5800418CRP	8C	Y			--	--

CGA 590 | G-Series 590

Connects To	Gas Type	Part Number	Handle Type	RPV Pin (Y/N)	Main Seal Material	Main Seal Packs (QTY)	A	B
CGA 590	Air	G5900411BH	1B	N	EPDM	SG580 (5)	7.41	3.83
		G5900412BRP	2B	Y		SG580RPV (5)	7.21	5.23

BS3 | G-Series BS3

Connects To	Gas Type	Part Number	Handle Type	RPV Pin (Y/N)	Main Seal Material	Main Seal Packs (QTY)	A	B
BS341 No. 3	Inerts and Inert Mixes	GBS30411BH	1B	N	EPDM	SG580 (5)	7.41	3.83
		GBS30414CRP	4C	Y	EPDM	SG580 (5)	10.75	5.00
	Oxygen	GBS30414CRPMV	4C	Y	FKM	SG580 (5)	10.75	5.00

Dimensions: inch (mm)



DON'T SEE A SOLUTION FOR YOUR APPLICATION? Submit a custom application form and drawing to fastsales@fastestinc.com or to your local distributor.